

## SGB Installation Kits For Tanks And Pipes

Installation Kits related are to a specific leak detector and are sorted in alphabetic order by the name of the leak detector.

All connections have a tapered thread according to BSPT (britisch standard pipe thread).

We are pleased to offer you individual solutions.

190 404-00 Installation Kit DL .., DLG .., 1/2" - S6, MS

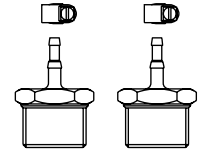
for hose 10/6 x 2 mm  
connection 1/2" male  
brass

190 405-00 Installation Kit DL .., DLG .., 3/4" - S6, MS

for hose 10/6 x 2 mm  
connection 3/4" male  
brass, galvanized steel

190 406-00 Installation Kit DL .., DLG .., 1" - S6, MS

for hose 10/6 x 2 mm  
connection 1" male  
brass



190 456-00 Installation Kit DL .., DLG .., 1" - S6, V4A

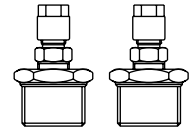
for hose 10/6 x 2 mm  
connection 1" male  
stainless steel 1.4571 or similar

190 406-04 Installation Kit DL .., DLG .., 1" - KV 8, MS

for tubes 8/6 x 1 mm  
connection 1" male  
brass, galvanized steel

190 406-07 Installation Kit DL .., DLG .., 1" - QV 8/6, MS

for PA hose 8/6 x 1 mm  
connection 1" male  
brass, galvanized steel



190 456-06 Installation Kit DL .., DLG .., 1" - KV 8, V4A

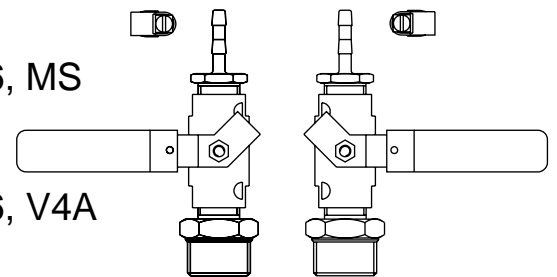
for tubes 8/6 x 1 mm  
connection 1" male  
stainless steel 1.4571 or similar

190 416-00 Installation Kit DL .., DLG .., 1" - S 6, MS

for hose 10/6 x 2 mm  
connection 1" male  
brass, galvanized steel

190 466-00 Installation Kit DL .., DLG .., 1" - S 6, V4A

for hose 10/6 x 2 mm  
connection 1" male  
stainless steel 1.4571 or similar

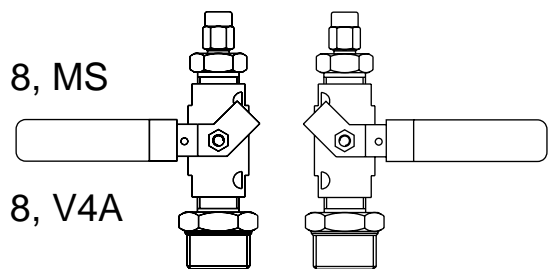


190 416-04 Installation Kit DL .., DLG .., 1" - KV 8, MS

for tubes 8/6 x 1 mm  
connection 1" male  
brass, galvanized steel

190 466-06 Installation Kit DL .., DLG .., 1" - KV 8, V4A

for tubes 8/6 x 1 mm  
connection 1" male  
stainless steel 1.4571 or similar



Further Installation kits on request (see next page)

190 4   -   Installation Kit DL.., DLG .., for one tank  
 pressure- and measuring connection

**pressure- measuring connection**

<input type="checkbox"/> <input type="checkbox"/> 00	hose nozzle, brass, for hose 10/6 x 2mm	(-S 6)
<input type="checkbox"/> <input type="checkbox"/> 03	compression ferrule union, brass, for tube 6/4 x 1mm	(-KV 6)
<input type="checkbox"/> <input type="checkbox"/> 04	compression ferrule union, brass, for tube 8/6 x 1mm	(-KV 8)
<input type="checkbox"/> <input type="checkbox"/> 05	compression ferrule union, stainless steel, for tube 6/4 x 1mm	(-KV6)
<input type="checkbox"/> <input type="checkbox"/> 06	compression ferrule union, stainless steel, for tube 8/6 x 1mm	(-KV8)
<input type="checkbox"/> <input type="checkbox"/> 07	quick union, brass, for hose 8/6 x 1mm	(-QV 8/6)
<input type="checkbox"/> <input type="checkbox"/> 08	quick union, brass, for hose 8/6 x 1mm	(-QV 8/6)
<input type="checkbox"/> <input type="checkbox"/> 19	compression ferrule union, Polypropylen, for tube 8/6 x 1mm	(-KV 8)

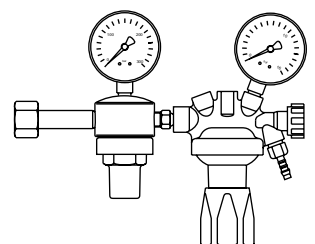
**connection tankside**

<input type="checkbox"/> 1	R 1/8", male, on request	(-R 1/8")
<input type="checkbox"/> 2	R 1/4", male, on request	(-R 1/4")
<input type="checkbox"/> 3	R 3/8", male, on request	(-R 3/8")
<input type="checkbox"/> 4	R 1/2", male	(-R 1/2")
<input type="checkbox"/> 5	R 3/4, male	(-R 3/4")
<input type="checkbox"/> 6	R 1", male	(-R 1")
<input type="checkbox"/> 7	flange DN 25, PN 16, DIN 2527	(-FI DN25)

**range of materials - with / without stop cock**

<input type="checkbox"/> 0	galvanzid steel / brass MS 58	(-ST-MS)
<input type="checkbox"/> 1	galvanzid steel / brass MS 58, with stop cock	(-ST-MS)
<input type="checkbox"/> 5	stainless steel 1.4571 (or similar),	(-V4A)
<input type="checkbox"/> 6	stainless steel 1.4571 (or similar), with stop cock	(-V4A)

342 5   -   Pressure Regulator, 2-stage, 1.0 - 20.0bar  
 more info in chapter "accessories" section "pressure regulator"



# Installation Kits

190 7

## Installation Kit For Pipes

For the connection to double walled pipes, consisting of valve and union for pneumatical connection

**10** Installation Kit For Pipes, 1/8" - QV 8/6, MS  
 quick ferrul, e.g. for PA-hose  
 brass

**11** Installation Kit For Pipes, 1/4" - QV 8/6, MS  
 quick ferrule, e.g. for PA-hose  
 brass

**16** Installation Kit For Pipes, 1/4" - QV 8/6, V4A  
 quick ferrule, e.g. for PA-Hose  
 stainless steel 1.4571 or similar

**20** Installation Kit For Pipes, 1/8" - KV 6, MS  
 compression ferrule 6mm  
 brass, brass chemical nickel-plated

**21** Installation Kit For Pipes, 1/4" - KV 6, MS  
 compression ferrule 6mm  
 brass, brass chemical nickel-plated

**25** Installation Kit For Pipes, 1/8" - KV 8, MS  
 compression ferrule 8mm  
 brass, brass chemical nickel-plated

**26** Installation Kit For Pipes, 1/4" - KV 8, MS  
 compression ferrule 8mm  
 brass, brass chemical nickel-plated

**40** Installation Kit For Pipes, 1/8" - KV 6, V4A  
 compression ferrule 6mm  
 stainless steel 1.4571 or similar

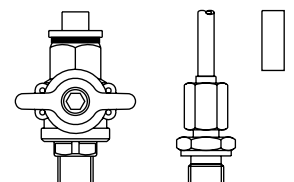
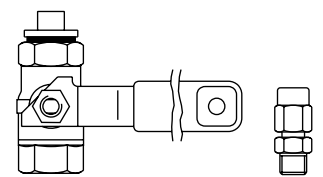
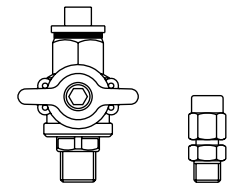
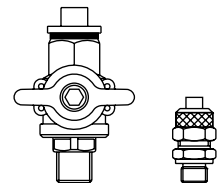
**41** Installation Kit For Pipes, 1/4" - KV 6, V4A  
 compression ferrule 6mm  
 stainless steel 1.4571 or similar

**45** Installation Kit For Pipes, 1/8" - KV 8, V4A  
 compression ferrule 8mm  
 stainless steel 1.4571 or similar

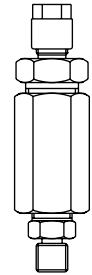
**46** Installation Kit For Pipes, 1/4" - KV 8, V4A  
 compression ferrule 8mm  
 stainless steel 1.4571 or similar

**50** Installation Kit For Pipes, 1/8" - BV 6, Cu  
 flare tube fitting, incl. 20cm Cu-pipe  
 with solder fitting  
 steel, copper, brass chemical nickel-plated

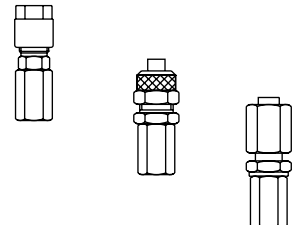
**51** Installation Kit For Pipes, 1/4" - BV 6, Cu  
 flare tube fitting, incl. 20cm Cu-pipe  
 with solder fitting  
 steel, copper, brass chemical nickel-plated



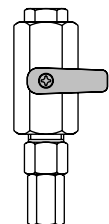
- 193 2   -   **Detonation Flame Arrester with union brass**
- 04** compression ferrule union, brass, for tube 8/6 x 1mm
  - 07** quick union, QV 8/6
  - 09** flared union, steel, for tube 6/4 x 1mm
  - 20** connection for Schrader valve
  - 25** connection for Schrader valve, 90° elbow
  - 30** connection thread G1/8" male
  - 35** connection thread G1/4" male
  - 40** on either side with connexion
  - 45** onesided connection union with holding device



- 190790 -   **Schrader-Valve-Connection with Ferrule brass**
- 03** compression ferrule union, brass, for tube 6/4 x 1mm
  - 04** compression ferrule union, brass, for tube 8/6 x 1mm
  - 07** quick union, QV 8/6
  - 09** flared union, steel, for tube 6/4 x 1mm



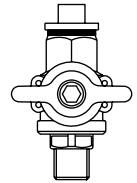
- 190 701 **Test Valve for Schrader-Valve-Connection**  
To test the free passage of gas through an interstitial space of a double walled pipe. brass



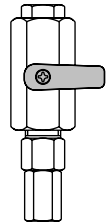
## Installation Kits

---

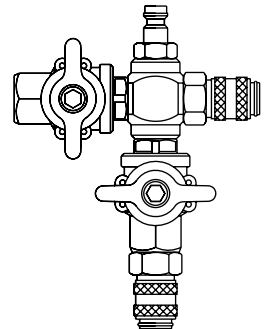
190 700 **Test Valve 1/4"**  
 To test the free passage of gas through an interstitial space of a double walled pipe. brass, brass chemical nickel-plated



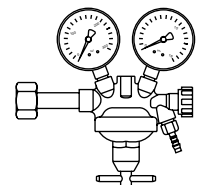
190 701 **Test Valve for Schrader-valve-connection**  
 To test the free passage of gas through an interstitial space of a double walled pipe. brass



115 520 **Testing Device DLR-GS**  
 for testing and commissioning of the leak detector DLR-GS. Plug-in connectors for a pressure supply and a pressure gauge brass, brass chemical nickel-plated

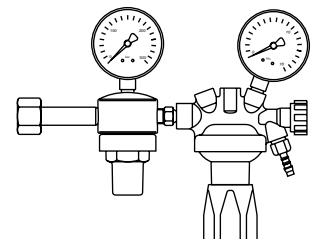


342 4.. **Pressure Regulator, 1-stage, 1.0 - 20bar**  
 more info in chapter "accessories" section "pressure regulator"

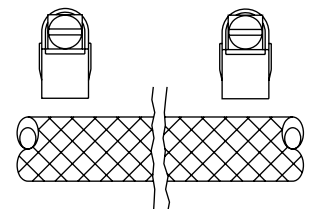


more info in chapter "accessories" section "pressure regulator"

342 5   -   **Pressure Regulator, 2-stage, 1.0 - 20bar**  
 more info in chapter "accessories" section "pressure regulator"



262 300 **Plastic Hose Reinforced with Fabric**  
 hose length 2 m including hose clip 8-16 mm for DLR

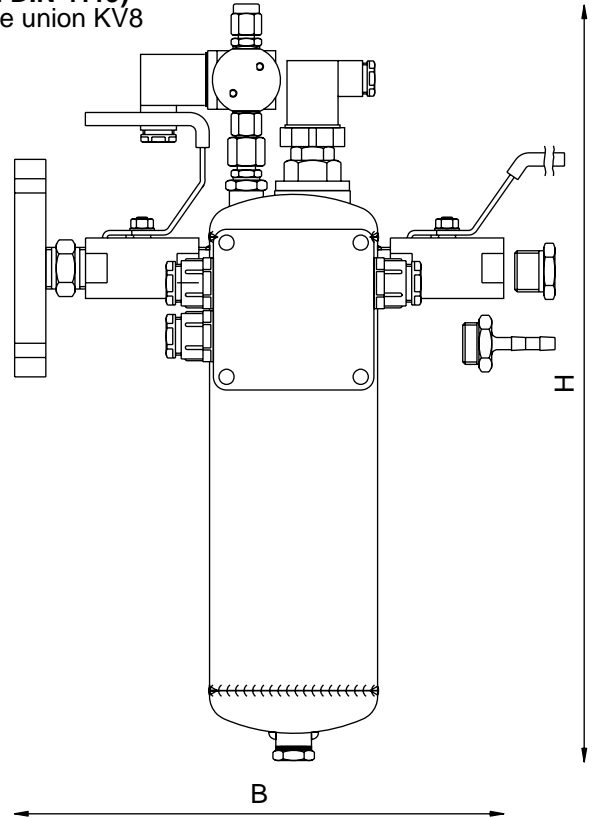


# Installation Kits

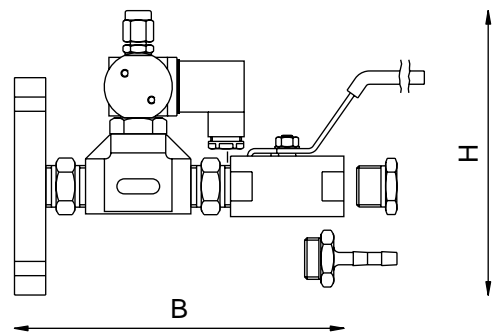
**190 210-06 Installation Kit VL 255/E, FI25 - KV8, V4A**  
**for flat bottom tanks with double bottom (e.g. DIN 4119)**  
 flange DN 25, DIN 2527, with compression ferrule union KV8

stainless steel 1.4571 or similar, PTFE

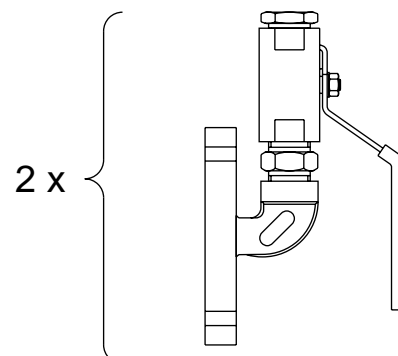
**suction connection**  
 (190 211)  
 consisting of:  
 flange DN 25, stop cock  
 condensate trap 1 liter,  
 solenoid valve, probe and  
 suction port for external pump  
 B ≈ 340mm H ≈ 400mm



**measuring connection**  
 (190 212)  
 consisting of:  
 flange DN 25, stop cock  
 compression ferrule 8mm  
 B ≈ 265mm H ≈ 150mm



**test connection**  
 (190 163)  
 consisting of:  
 flange DN 25, stop cock  
 and plug,

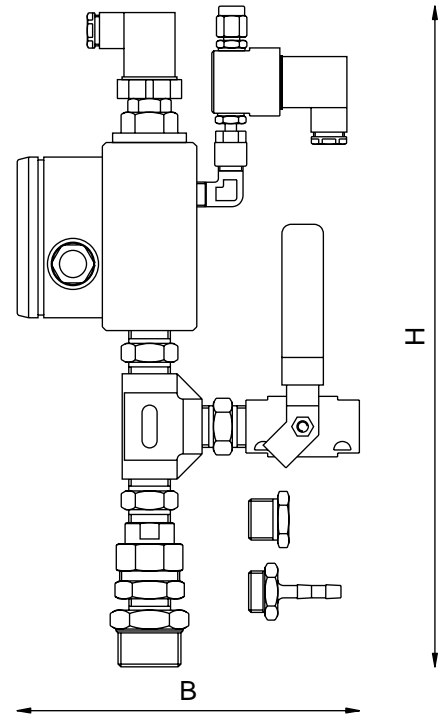


# Installation Kits

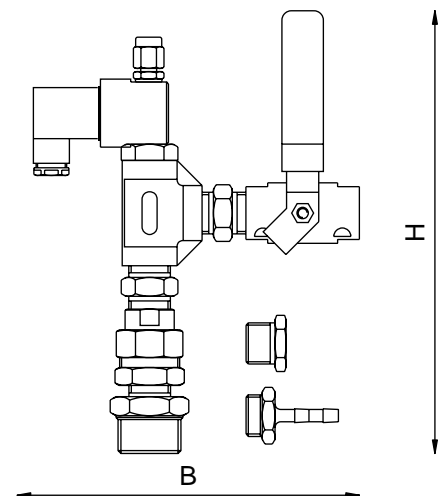
190 220-06 Installation Kit VL 570/E, 1" - KV8, V4A  
**for flat bottom tanks with double bottom (e.g. DIN 4119)**  
 flange DN 25, DIN 2527, with compression ferrule union KV8

stainless steel 1.4571 or similar, PTFE

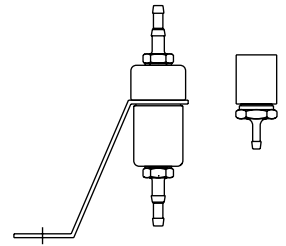
**suction connection**  
 (190 221)  
 consisting of:  
 flange DN 25, stop cock  
 condensate trap 1 liter,  
 solenoid valve, probe and  
 suction port for external pump  
 B ≈ 230mm H ≈ 355mm



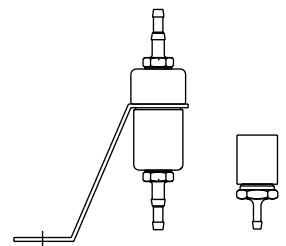
**measuring connection**  
 (190 222)  
 consisting of:  
 flange DN 25, stop cock  
 solenoid valve,  
 compression ferrule 8mm  
 B ≈ 225mm H ≈ 235mm



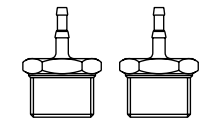
**190 800-00** Installation Kit VL .., oT, S4/6, MS  
 for hose 8/4 or 10/6 x 2 mm,  
 without tank connection  
 consisting of:  
 liquid stop valve with S4/6 mm hose nozzle  
 and holding device, to be mounted with a manway assembly bolt,  
 weld-on sleeve 3/8" with S4/6 mm hose nozzle  
 brass, stainless steel, PA-12



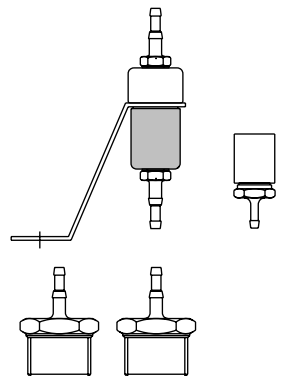
**190 806-00** Installation Kit VL .., R1"-S4/6, MS  
 for hose 8/4 or 10/6 x 2 mm,  
 consisting of:  
 liquid stop valve with S4/6 mm hose nozzle  
 and holding device, to be mounted with a manway assembly bolt,  
 weld-on sleeve 3/8" with S4/6 mm hose nozzle  
 reduction piece 1" with S4/6 mm hose nozzle  
 brass, stainless steel, PA-12



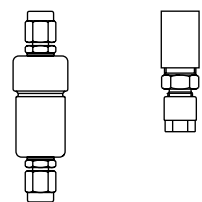
**190 826-00** Installation Kit VL .., R1"-S6, V4A  
 for hose 10/6 x 2 mm,  
 consisting of:  
 liquid stop valve with 6 mm hose nozzle  
 and holding device, to be mounted with a manway assembly bolt,  
 reduction pieces 1" with S6 mm hose nozzle  
 weld-on sleeve 3/8" with S6 mm hose nozzle  
 stainless steel 1.4571 or similar, PP



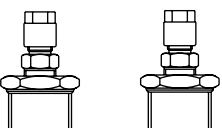
**190 816-00** Installation Kit VL .., R1"-S4/6, MS-PC  
 for hose 8/4 o. 10/6 x 2 mm,  
 consisting of:  
 liquid stop valve (translucent) and S4/6 mm hose nozzle  
 and holding device, to be mounted with a manway assembly bolt,  
 weld-on sleeve 3/8" with S4/6 mm hose nozzle,  
 reduction piece 1" with S4/6 mm hose nozzle,  
 brass, stainless steel, polycarbonat, PA-12



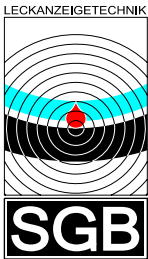
**190 806-04** Installation Kit VL .., R1"-KV 8, MS  
 for Cu- or plastic tube 8/6 x 1 mm  
 consisting of:  
 liquid stop valve with 8 mm compression ferrule union,  
 weld-on sleeve 3/8" with 8 mm compression ferrule union  
 reduction pieces 1" with 8 mm compression ferrule union,  
 straight union 8-6 mm.  
 brass, galvanized steel, PA-12



**190 826-06** Installation Kit VL .., R1"-KV 8, V4A  
 as under 190 039  
 stainless steel 1.4571 or similar, PP



Further Installation kits on request (see next page)



# Installation Kits

VL .. II

190 8	<div style="border: 1px solid black; width: 20px; height: 20px; display: inline-block; margin-right: 5px;"></div> <div style="border: 1px solid black; width: 20px; height: 20px; display: inline-block; margin-right: 5px;"></div>	<p><b>Installation Kit For One Pipe KV 8</b>  <b>suction-, measuring- and exhaust connection</b>  <b>with holding device for liquid stop valve</b></p> <p><b>suction - measuring connection</b></p> <p><b>00</b> hose nozzle S4/6, for hose (-S 4/6)  <b>04</b> compression ferrule union, brass, for tube 8/6 x 1mm (-KV 8)  <b>06</b> compression ferrule union, stainless steel 1.4571, for tube 8/6 x 1mm (-KV 8)  <b>07</b> quick union, brass, for tube 8/6 x 1mm (-QV8/6)  <b>08</b> quick union, stainless steel 1.4571, or similar, for tube 8/6 x 1mm (-QV8/6)  <b>19</b> ferrule union, Polypropylen, for tube 8/6 x 1mm (-KV 8)</p> <p><b>connection tankside</b></p> <p><b>0</b> without tank connection (-oT)  <b>1</b> tank connection 1/8", on request (-R 1/8")  <b>2</b> tank connection 1/4", on request (-R 1/4")  <b>3</b> tank connection 3/8", on request (-R 3/8")  <b>4</b> tank connection 1/2", on request (-R 1/2")  <b>5</b> tank connection 3/4", on request (-R 3/4")  <b>6</b> tank connection 1" (-R 1")</p> <p><b>range of materials</b></p> <p><b>0</b> galvanized steel / brass MS 58 / PA-12 (-MS)  <b>1</b> galvanized steel / brass MS 58 / PC / PA-12 (-MS-PC)  <b>2</b> stainless steel (1.4571 or similar) / PP (-V4A)  <b>4</b> Polyvenylchlorid PVC / PA-12 (-PVC)  <b>6</b> Polypropylen PP (-PP)</p>	(identifier)
-------	---	--	--------------

Non of these installation kits are necessary, when the exhaust line terminates in an area with a liquid tight surface (e.g. sump)

190 69

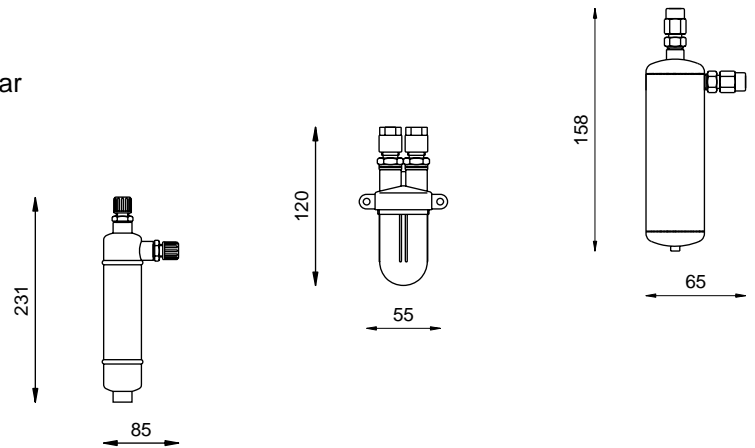
## Installation Kit VL, exhaust, KV 8

exhaust line terminats on a liquid tight surface, with a low point in the routing of the exhaust line.

**0** stainless steel 1.4435 or similar

**1** brass MS 58

**6** Polypropylen PP



190 69

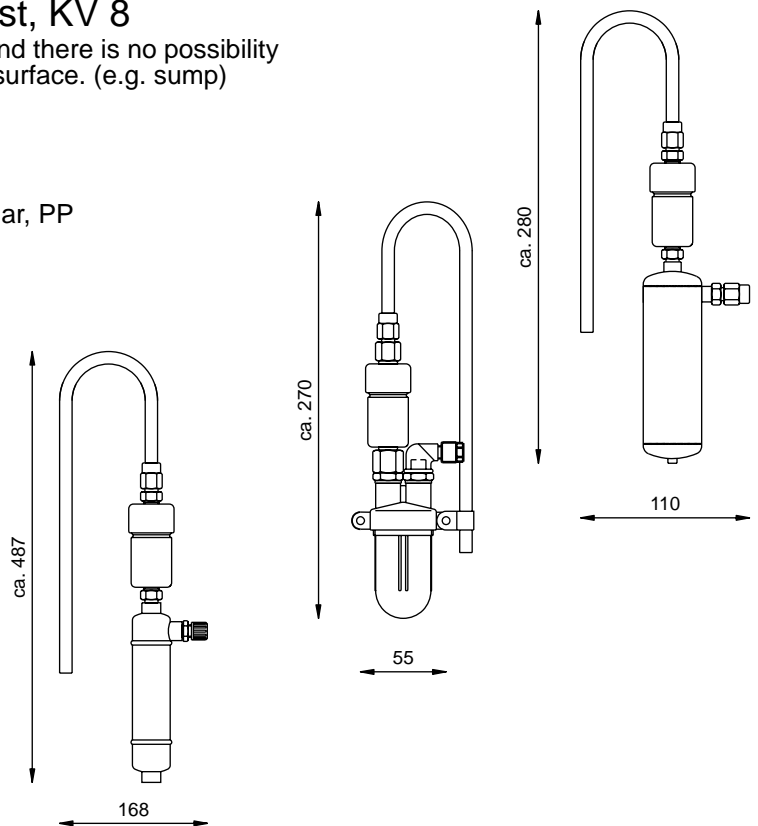
## Installation Kit VL, exhaust, KV 8

exhaust line terminates in free air and there is no possibility to collect spillages on a liquid tight surface. (e.g. sump)

**3** stainless steel 1.4435 or similar, PP

**4** brass MS 58 / copper, PA-12

**7** Polypropylen PP / PTFE



**If the exhaust line terminats in a zone 1 or 2  
a detonation flame arrester might be necessary.**

190 1

## Installation Kit Flat Bottom Tank, VL 255, VLX 330

**for flat bottom tanks with double bottom (e.g. DIN 4119)**

with compression ferrule union KV8

connection: R1" male or flange DN 25 DIN 2527

20 flange DN 25 - KV8,  
brass, galvanized steel, PA-12

30 R1" male - KV8  
brass, galvanized steel, PA-12

60 flange DN 25 - KV8,  
stainless steel 1.4571  
or similar, PP

### suction connection

190 121 -> flange DN 25, brass

190 131 -> R1" male, brass, galvanized steel

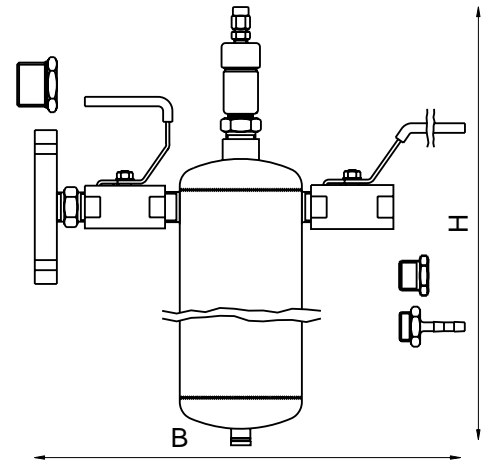
190 161 -> flange DN 25, stainless steel 1.4571 o. similar  
consisting of:

stop cock, condensate trap 1 liter

liquid stop valve, suction port

for external pump

B≈320mm H≈420mm



### measuring connection

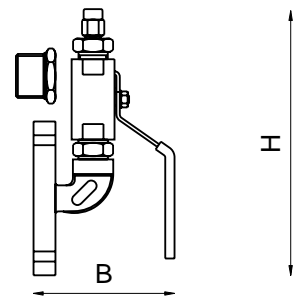
190 122 -> flange DN 25, brass

190 132 -> R1" male, brass, galvanized steel

190 162 -> flange DN 25, stainless steel 1.4571 or similar  
consisting of:

stop cock

B≈120mm H≈200mm



### test connection,

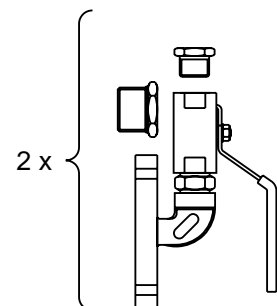
190 123 -> flange DN 25, brass,

190 133 -> R1" male, brass, galvanized steel

190 163 -> flange DN 25, stainless steel 1.4571 or similar  
consisting of:

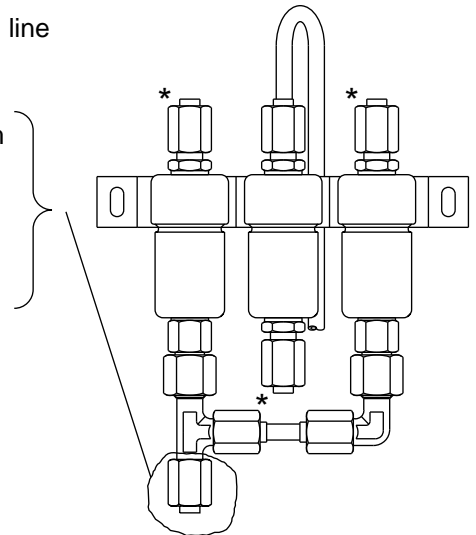
stop cock,

and plug

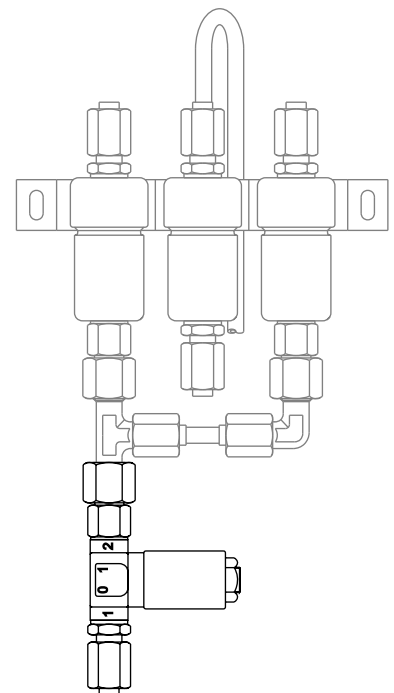


- 193 3   -
- Installation Kit For One Pipe KV 8**  
**suction - measuring connection**  
 consisting of:  
 liquid stop valve in suction- and exhaust line  
 and pressure compensating vessel in the measuring line  
 with holding device
- 04 compression ferrule union, brass, for tube 8/6 x 1mm
  - 09 flared union, steel, for tube 6/4 x 1mm
  - 06 compression ferrule union, stainless steel 1.4571, for tube 8/6 x 1mm
  - 11 flared union, stainless steel 1.4571, for tube 6/4 x 1mm
  - 0 for leak detector in a plastic housing (VLR ../E)
  - 2 for leak detector in a steel housing (VLR ../E P, VLX ../A-Ex, VLX ../Ex)
  - 0 material brass, MS 58, PA-12
  - 1 material stainless steel 1.4571 or similar, PP
  - 50 material PP (Polypropylen), only with 8mm ferrule union, only for VLR in plastic housing

\* only for leak detectors with flared union



- 342 24   -
- solenoid valve for installation kit 193 3..**  
**for liquid conveyance pressure >5bar**
- 04 compression ferrule union, brass, for tube 8/6 x 1mm
  - 09 flared union, steel, for tube 6/4 x 1mm
  - 06 compression ferrule union, stainless steel 1.4571, for tube 8/6 x 1mm
  - 11 flared union, stainless steel, for tube 6/4 x 1mm
  - 0 material brass, MS 58
  - 5 material stainless steel 1.4571, or similar



# Installation Kits

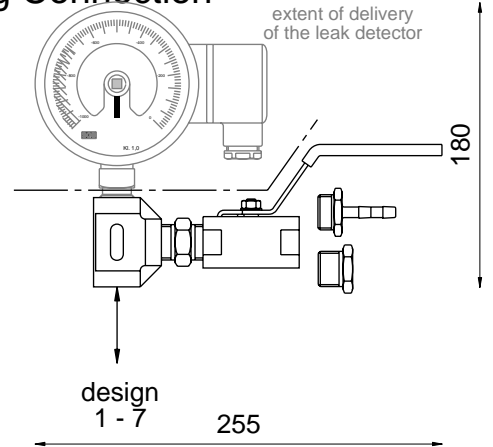
## 190 6 Installation Kit VLX 350/SA-Ex, Measuring Connection

**design:**

- 1 vertical with flange DN 25, DIN 2527
- 2 vertical with thread 1" male
- 3 horizontal with thread 1" male
- 4 horizontal with flange DN 25, DIN 2527
- 5 horizontal with thread 3/8" male
- 6 vertical with thread 3/8" male
- 7 horizontal with thread 1/8" (for tube connection)

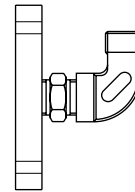
**material:**

- 1 brass, steel, galvanized steel
- 4 stainless steel 1.4571 or similar

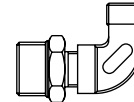


*All designs are installed by the manufacturer and tested for tightness.*

design 1



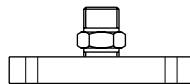
design 2



design 3



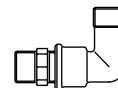
design 4



design 5



design 6



design 7



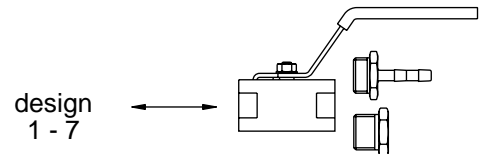
## 190 6 Installation Kit, Test Connection

**design:**

- 1 vertical with flange DN 25, DIN 2527
- 2 vertical with thread 1" male
- 3 horizontal with thread 1" male
- 4 horizontal with flange DN 25, DIN 2527
- 5 horizontal with thread 3/8" male
- 6 vertical with thread 3/8" male
- 7 horizontal with thread 1/8" (for tube connection)

**material:**


- 2 brass/ steel/ galvanized steel
- 5 stainless steel 1.4571 or similar



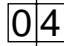
**Note:**

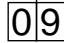
Depending on the type of tank more than 1 kit could be necessary!

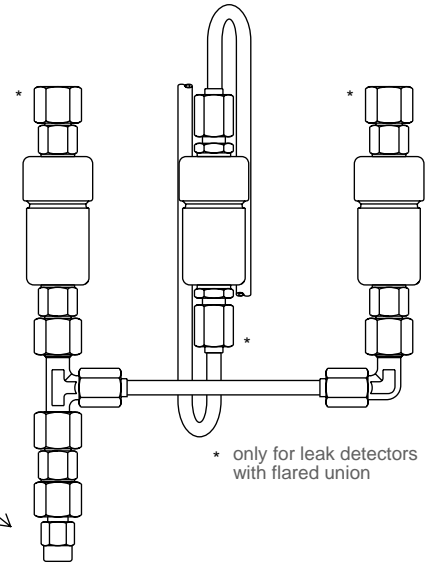
# Installation Kits

193 370 -  **Installation Kit For One Pipe KV 8 suction - measuring connection**

consisting of:  
 liquid stop valve in suction- and exhaust line  
 and pressure compensating vessel in the measuring line

 04 compression ferrule union, brass, for tube 8/6 x 1mm

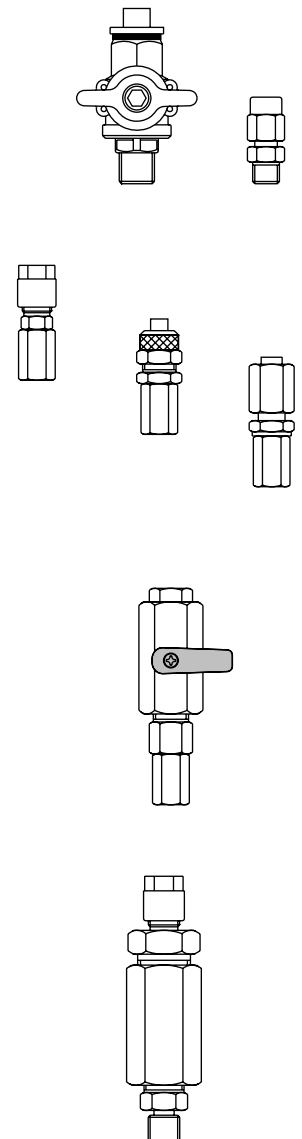
 09 flared union, steel, for tube 6/4 x 1mm



\* only for leak detectors with flared union

190 7.. **Installation Kit For Pipes**

For more details:  
 see section DLR/VLR/VLX II installation kit for pipes



# Installation Kits

190 90

**Installation Kit VLX .., VLX ../Ex, VLX ../A-Ex, 1"-KV 8**  
for cylindrical horizontal tanks with 1" sleeve on top (e.g. DIN 6608, EN 12285)  
with compression ferrule union KV8  
connection 1" male

**Notice:** Suitable for small interstitial spaces, where no suction port for an external pump is necessary.

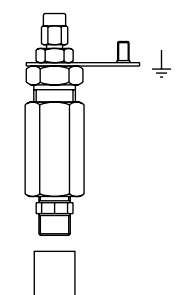
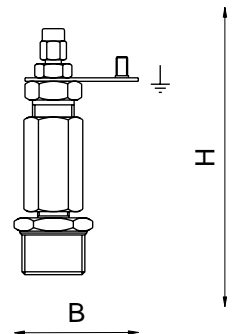
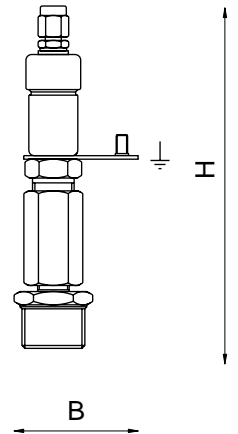
- 0** stainless steel 1.4571 or similar, PP
- 5** brass MS 58 / galvanized steel, PA-12

consisting of:

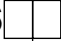
**suction connection**  
(190 901 V4A, 190 906 brass)  
consisting of:  
detonation flame arrester,  
liquid stop valve,  
B ≈ 70mm H ≈ 200mm

**measuring connection**  
(190 902 V4A, 190 907 brass)  
consisting of:  
detonation flame arrester  
B ≈ 70mm H ≈ 150mm

**exhaust**  
(190 903 V4A, 190 688 brass)  
consisting of:  
weld-on sleeve 3/8"  
detonation flame arrester



# Installation Kits

190 6 

**Installation Kit VLX.., VLX ../Ex, VLX ../A-Ex, 1"-H-KV 8**  
**for cylindrical horizontal tanks with 1" sleeve on top (e.g. DIN 6608, EN 12285)**  
 with compression ferrule union KV8  
 connection 1" male

**80** stainless steel 1.4571 or similar, PP

**85** brass MS 58 / galvanized steel, PA-12

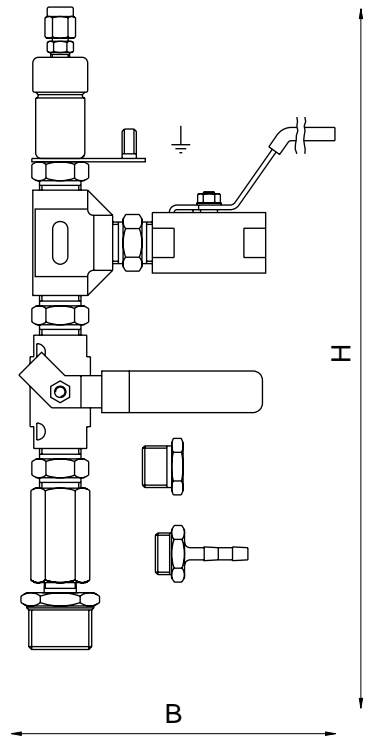
consisting of:

**suction connection**

(190 681 stainless steel, 190 686 brass)

consisting of:  
 detonation flame arrester,  
 stop cock, liquid stop valve,  
 suction port for external pump

B ≈ 210mm H ≈ 380mm

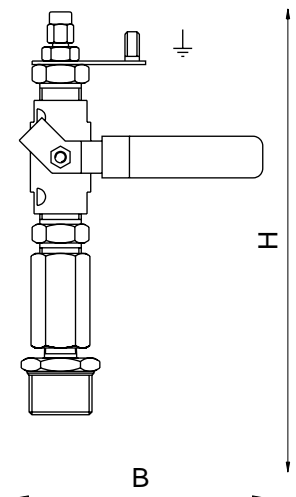


**measuring connection**

(190 682 stainless steel, 190 687 brass)

consisting of:  
 detonation flame arrester,  
 stop cock

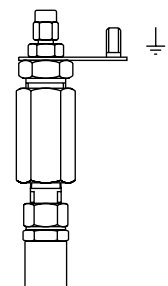
B ≈ 130mm H ≈ 250mm

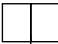


**exhaust**

(190 683 stainless steel, 190 688 brass)

consisting of:  
 weld-on sleeve 3/8"  
 detonation flame arrester



190 6 

**Installation Kit VLX ../Ex, VLX ../A-Ex, FI25-KV 8**  
**for flat bottom tanks with double bottom (e.g. DIN 4119)**  
 with compression ferrule union KV8  
 flange DN 25, DIN 2527, PN 16

**70** stainless steel 1.4571 or similar, PP

**75** brass MS 58 / galvanized steel, PA-12

consisting of:

**suction connection**

(190 671 stainless steel, 190 676 MS)

consisting of:  
 detonation flame arrester,  
 stop cock, condensate trap 1liter,  
 liquid stop valve, suction port  
 for external pump

B ≈ 460mm H ≈ 430mm

**measuring connection**

(190 672 stainless steel, 190 677 MS)

consisting of:  
 detonation flame arrester,  
 stop cock

B ≈ 160mm H ≈ 350mm

**test connection**

(190 163 stainless steel, 190 123 MS)

consisting of:  
 flange DN 25, PN 16,  
 stop cock and plug

